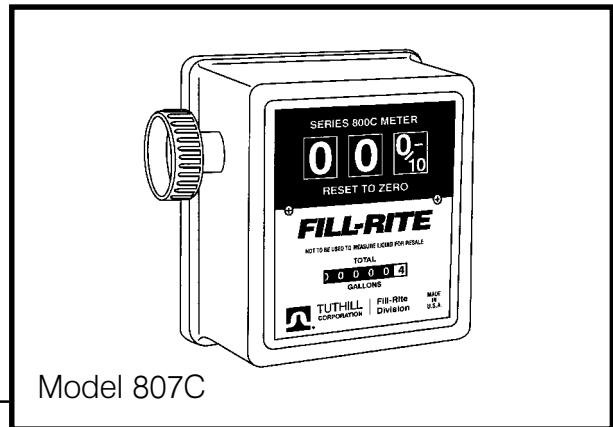
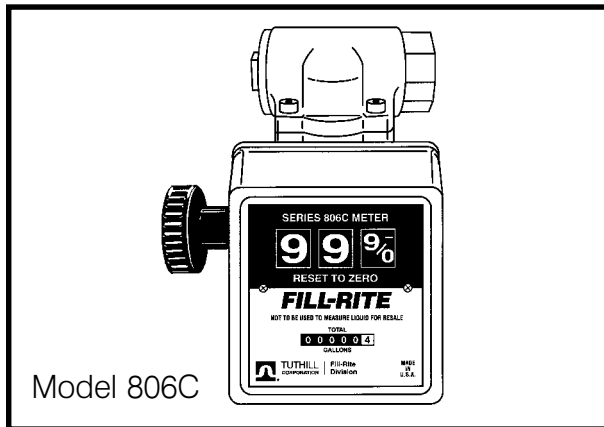


FILL-RITE

Owner's Operation & Safety Manual

SERIES 800C METER

For models 806C, 807C



OUTSTANDING FEATURES

- 5 to 20 GPM / 19 to 76 LPM flow rate
- $\pm 1\%$ accuracy
- 3/4" or 1" NPT flow ports
- Large, easy to read numbers
- Quick reset knob
- Totalizer
- UL/CSA Listed



TUTHILL
Transfer Systems

8825 Aviation Drive
Fort Wayne, Indiana USA 46809
Tel 219 747-7524 Fax 219 747-3159

www.tuthill.com

Dear Fill-Rite Customer,

Thank you for buying a Fill-Rite product. We believe that you have bought the best. This piece of literature contains information about your new equipment and its operating and service requirements. Please take a few minutes to read it carefully.

Fill-Rite's products are distributed around the world and are the result of people at Fill-Rite working together to design, manufacture, sell, ship and service products which meet the needs of each and every customer.

If, for any reason, any of our products do not meet your performance expectations, we would like to hear from you. Our best sales force is you, our customer, and we want you to be satisfied. We appreciate your purchase of a Fill-Rite product and look forward to providing your future equipment needs.

Sincerely,

George P. Jenkins
President

- EPDM O-rings
- BSPT threads

SAFETY

The safety of Fill-Rite Series 800 meters is proven by their listing with the following agencies.



Underwriters Laboratories Inc., a nationally recognized independent organization for testing of products to ensure public safety.



Canadian Standards Association, a Canadian organization for testing of products to ensure public safety.

Northbrook, Illinois • (847) 272-8800
Melville, New York • (516) 271-6200
Santa Clara, California • (408) 995-2411
Research Triangle Park,
North Carolina • (919) 549-1400
Camas, Washington • (360) 817-5500



Underwriters Laboratories Inc.®

FILL-RITE DIV
TUTHILL CORP
MR R NALLENWEG, DIRECTOR OF ENGRG
PO BOX 9100
FT WAYNE IN 46899



Your most recent listing is shown below. Please review this information and report any inaccuracies to the UL Engineering staff member who handled your UL project.

PLRZ July 25, 1997
Flammable Liquid Meters

FILL-RITE DIV TUTHILL CORP
8825 AVIATION DR, FT WAYNE IN 46809
Models: 806R, 806C, 807B, 807C, 886, 887; Series 900.
LOOK FOR LISTING MARK ON PRODUCT

MH8290 (N)

Replaces MH8290 dated May 11, 1995.
470414001 Underwriters Laboratories Inc.®

K317/0072005
76

For information on placing an order for UL Listing Cards in a 3 x 5 inch card format, please refer to the enclosed ordering information.

UNDERWRITERS LABORATORIES INC.

A not-for-profit organization
dedicated to public safety and
committed to quality service.



SAFETY INSTRUCTIONS

To ensure safe and efficient operation, it is essential to read and follow each of these warnings and precautions.

1. **Improper use or installation of this product can cause serious bodily injury or death.**
2. Do NOT smoke near meter or use meter near an open flame when dispensing flammable fluids. Fire could result.
3. This product should not be used for fluid transfer into aircraft.
4. This product is not suited for use with fluids for human consumption.

GENERAL DESCRIPTION

The Fill-Rite Series 800C meter is a nutating disc flow meter. The meter uses wheel counters for registering either U.S. gallons or liters. The U.S. gallon meter has two unit wheels and a tenth wheel which can be reset to zero. It's totalizer has five unit wheels and a tenth wheel. The liter counter has three unit wheels which can be reset to zero. It's totalizer has six unit wheels.

OPTIONS

- Liter registers
- 1" NPT Flow Ports
- Teflon or nickel coatings

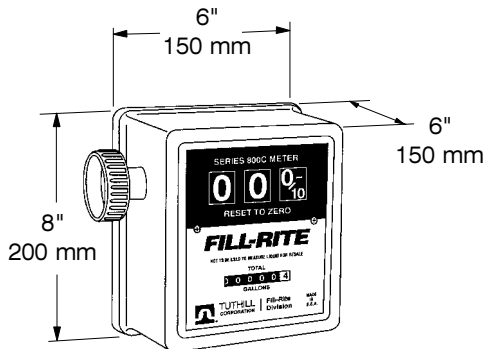
TECHNICAL INFORMATION

Design Features

- 3/4" or 1" NPT female inlet and outlet ports
- Recommended for 5 to 20 GPM (19 to 76 LPM) output
- ± 1% accuracy
- 50 PSI maximum pressure
- Meters fluid at temperatures from -15°F (-26°C) to 150°F (66°C)
- Weatherproof, corrosion resistant
- Zero reset unit wheels have large 11/16" figures
- Easy to read totalizer registers to 99,999.9 gallons
- Compact design - 8" x 6" x 6" (200 x 150 x 150 mm)

- Convenient, large reset knob
- Not for resale use
- Maximum viscosity of fluid: Diesel Fuel
- Pressure drop* through meter:
 - 5 GPM (19 LPM) --1 psid (0.07 bar)
 - 10 GPM (38 LPM) --2 psid (0.14 bar)
 - 20 GPM (76 LPM) --8 psid (0.55 bar)

*Nominal data based on mineral spirits. Actual pressure drop may vary.



Fluid Compatibility

The 800C is compatible with the following fluids:

- Diesel Fuel, Gasoline, Kerosene, Mineral Spirits, Heptane, and Hexane

The 800C is NOT compatible with the following fluids:

- Bleach, Hydrochloric Acid, Ink, Motor Oil, and Salt Water

If in doubt about compatibility of a specific fluid, contact supplier of fluid to check for any adverse reactions to the wetted materials in the parts list.

INSTALLATION

Meters are furnished for horizontal piping, left to right flow, unless otherwise specified. Use oil and gasoline resistant pipe compound on all threaded joints. Flow ports can be located in any of four positions for horizontal or vertical piping.

1. Determine direction of fluid flow.
2. Rotate meter so that counter points slightly down. This prevents parts from falling out when casting is separated.
3. Remove four screws (item 20) and meter housing (item 19).
4. Lift and rotate chamber assembly (item 26) so that chamber inlet points toward where the meter housing inlet will be.
5. Rotate meter housing (item 19) to desired position. Make sure chamber inlet is also pointing in the same direction.
6. Replace four screws (item 20).

ASSEMBLY /DISASSEMBLY

Meter consists of a chamber housing, measuring chamber, gear train, counter assembly and cover. Meter can be

completely disassembled without disturbing piping, or meter can be partially disassembled as required.

Counter Assembly

For access to counter assembly, remove reset knob (item 3) by grasping edges and pulling firmly. Knob is held in place by a spring clip. Loosen two screws (item 29) and lift counterface (item 2) and cover (item 1) off. Remove two screws (item 13) to extract counter (item 4). Reassemble by reversing procedure.

Meter Chamber Assembly

To expose meter chamber assembly, tilt the meter at least slightly face down, so that no parts fall out when removing meter housing. Remove the four screws (item 20), then remove meter housing (item 19). Meter chamber assembly consists of upper and lower chambers, a nutating disc and seal gasket. Reassemble by reversing procedure.

If replacement of any components of the meter chamber assembly is required, the complete assembly must be replaced due to the precise method of its construction. This assures a proper fit and a correctly operating chamber.

Gear Train and Seal

To disassemble gear train and seal, remove gear frame (item 12) by prying slightly. Remove cluster gear (item 10) and washer (item 11) from shaft (item 9). Remove drive gear (item 8) and washers (item 7) by rotating and pulling drive gear. Remove O-ring seal (item 6).

When reassembling seal, lubricate O-ring liberally with oil or petroleum jelly and replace in cover. Place washer on drive gear shaft. Rotate and push shaft through O-ring and cover carefully to prevent damage to O-ring. Shaft must then be guided into pinion bevel (item 28) if counter has not been removed. Replace remaining parts to complete assembly by reversing disassembly procedure.

CALIBRATION

The Fill-Rite Series 800C meters can be calibrated for either U.S. gallons or liters. Calibration is required after disassembly, when metering a different fluid, or after significant wear. Depending on the model, Series 800C meters are calibrated at the factory, metering Stoddard solvent in either U.S. gallons or liters.

Meter calibration can be easily changed by following the calibration procedure listed below. A proving container or a container of KNOWN volume will be needed for the calibration procedure. It is recommended that the container's volume be at least five times larger than the unit of calibration. For example, a five gallon container should be used when calibrating for gallons.

Procedure for Calibration

1. Fill container to a known volume.

- If indicated amount does not match known volume, insure pump is off and pressure relieved, then remove seal screw (item 23) and turn calibration screw (item 21) counterclockwise to reduce indicated amount or clockwise to increase the amount. A full turn will change the indicated amount by approximately 0.1 Gal. (0.4L). Reinstall seal screw
- Repeat step 2 until calibration is acceptable.

OPERATING INSTRUCTIONS

For accurate measurement, meter and piping must always be filled with liquid and free of air. Meter should be calibrated per instructions in this manual prior to its use.

- Reset meter to "0".
- Meter is ready for use. Do not exceed 50PSI line pressure.

MAINTENANCE

Meter should operate maintenance free. However, certain liquids can dry out while in the meter housing, causing meter to stop. If this happens, meter should be thoroughly cleaned (see instructions below).

Cleaning Instructions

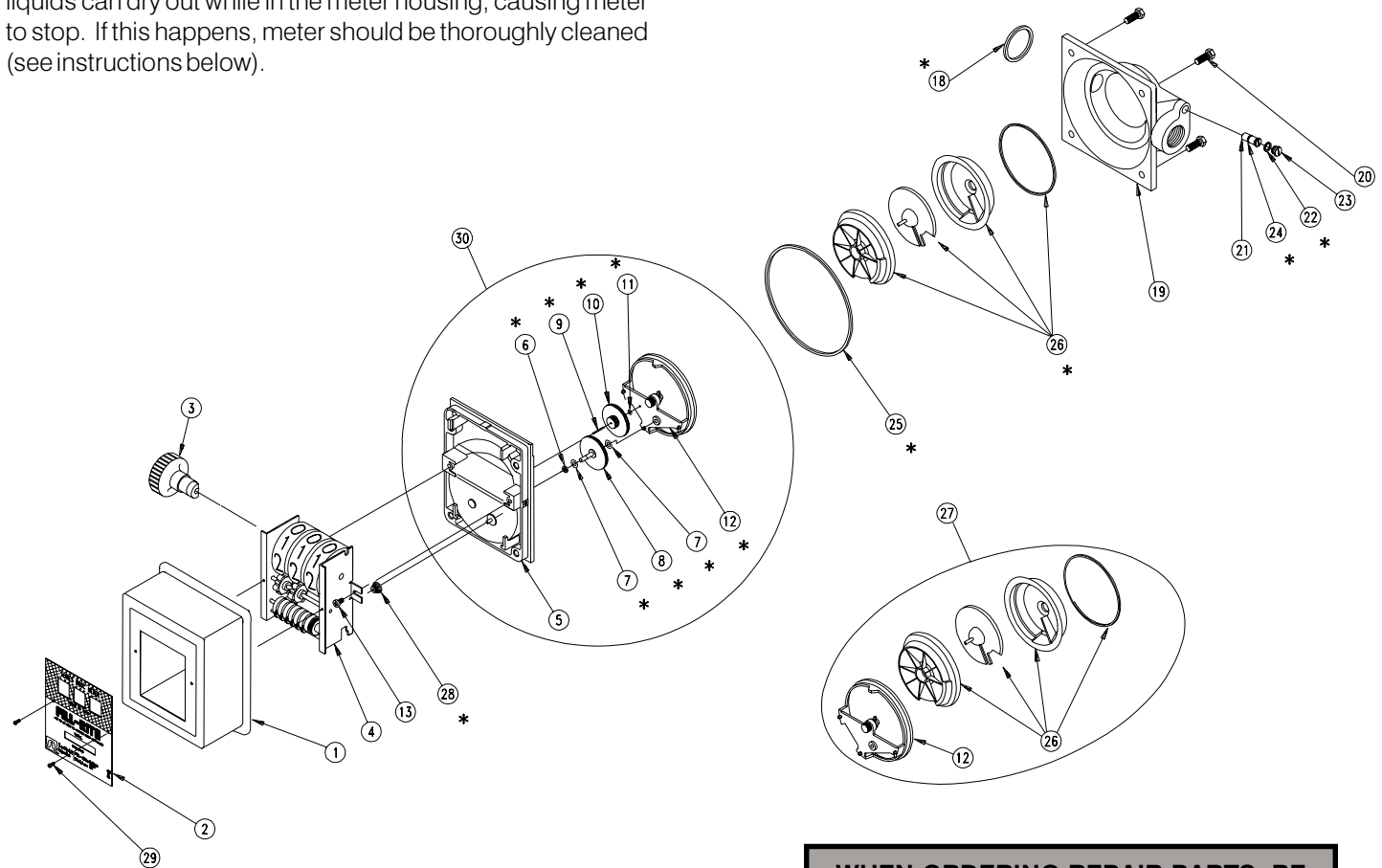
Run a flushing fluid through meter. For a more thorough cleaning, disassemble meter per "ASSEMBLY/DISASSEMBLY" section, "Meter Chamber Assembly" subsection. Rinse all meter components. Recalibrate meter following calibration instructions above.

Storage

If meter is to be stored for a period of time, clean thoroughly. This will help protect meter from damage.

REPAIR

Meters needing repair should be taken to an authorized repair shop or returned to factory for service. Meters must be thoroughly triple-rinsed before being taken in for repair.



WHEN ORDERING REPAIR PARTS, BE SURE TO GIVE REPLACEMENT PART NUMBER, DATE OF MANUFACTURE AND METER SERIES NUMBER. THIS WILL ENSURE THAT THE CORRECT REPLACEMENT PART IS SUPPLIED.

**TOLL FREE CUSTOMER SERVICE
NUMBER
800 634 2695**

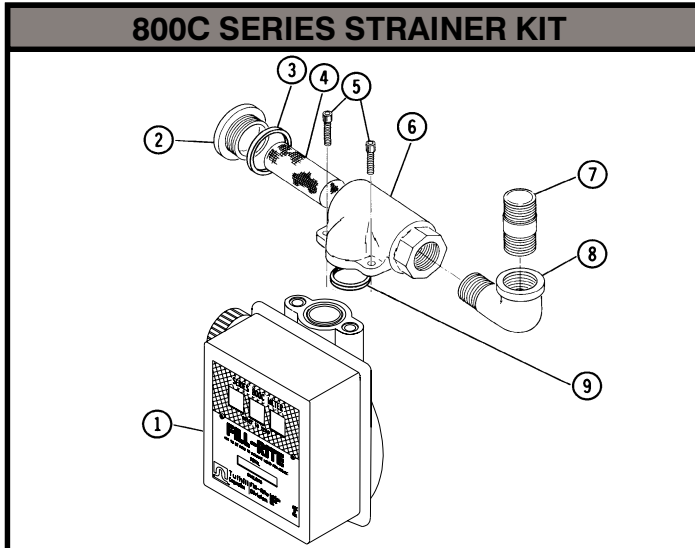
*These parts are in the 800C Series Repair Parts Kit..

800C METER PARTS LIST

ITM. NO.	PART NO.	DESCRIPTION	MATERIAL OF CONSTRUCTION	QTY.
1	800F4132	Counter Cover		1
2	800G0208	Counter Face, U.S. Gallon		1
	800G0241	Counter Face, Liter		Opt.
3	800F4261	Knob Assembly		1
4	800F4080	Counter - U.S. Gallon		1
	800F4081	Counter - Liter		Opt.
5	800G2246	Meter Cover	Aluminum	1
	800G2247	Meter Cover, Nickel Plated		Opt.
	800G2248	Meter Cover, Teflon Coated		Opt.
6	800F4191	O-Ring (5-106)	Fluorocarbon	1
	800F4033	O-Ring (5-106)	EPDM	Opt.
7	800F3980	Washer	Stainless Steel	2
8	800F3845	Drive Gear (70T) - U.S. Gallon	Ryton	1
	800F3846	Drive Gear (84T) - Liter	Ryton	Opt.
	800F4185	Drive Gear (73T) - Imperial Gallon	Ryton	Opt.
9	800F3820	Shaft, Cluster Gear	Stainless Steel	1
10	800F3841	Cluster Gear (22T/67T) - U.S. Gallon	Ryton	1
	800F3843	Cluster Gear (10T/67T) - Liter	Ryton	Opt.
	800F3541	Cluster Gear (19T/67T) - Imperial Gallon	Ryton	Opt.
11	800F3830	Washer	Stainless Steel	1
12	800G2250	Gear Frame Assembly	Ryton and Stainless Steel	1
13	900F4007	#8-32 x 5/16 PHMS ACR II		2
18	700F2800	O-Ring (-218), Buna-N (For 800A, 700A/B)		Opt.
	700F2801	O-Ring (-218), Fluorocarbon (For 800A, 700A/B)		Opt.
	800G2601	O-Ring (-218), EPDM (For 800A, 700A/B)		Opt.
19	800G2236	3/4 Inlet - 3/4 Outlet Housing	Aluminum	1
	800G2237	3/4 Inlet - 3/4 Outlet Hsg., Nickel Pltd.		Opt.
	800G2238	3/4 Inlet - 3/4 Outlet Hsg., Teflon Ctd.		Opt.
	800G2242	1 Inlet - 1 Outlet U.S. Housing		Opt.
	800G2243	1 Inlet - 1 Outlet U.S. Hsg., Nickel Pltd.		Opt.
	800G2244	1 Inlet - 1 Outlet U.S. Hsg., Teflon Ctd.		Opt.
	800G2255	1 Inlet - 1 Outlet BSPT Housing		Opt.
	800G2256	1 Inlet - 1 Outlet BSPT Hsg., Nickel Pltd.		Opt.
	800G2257	1 Inlet - 1 Outlet BSPT Hsg., Teflon Ctd.		Opt.
20	700F2810	5/16-18 x 7/8 HHCS		4
21	800F4463	Calibration Screw (Includes Item 24)	Stainless Steel	1
22	800F4449	O-Ring (-012)	Fluorocarbon	1
	800F3389	O-Ring (-012)	EPDM	Opt.
23	800F4440	Seal Screw	Stainless Steel	1
24	800F4036	O-Ring (-008) (Included with Item 21)	Fluorocarbon	1
	800F4034	O-Ring (-008), EPDM		Opt.
25	800F4010	O-Ring (-156), Buna-N		1
	800F4011	O-Ring (-156), Fluorocarbon		Opt.
	800F4032	O-Ring (-156), EPDM		Opt.
26	800G2262	Meter Chamber Assembly - Buna-N	Ryton, Stainless Steel, Buna-N	1
	800G2599	Meter Chamber Assembly - Fluorocarbon	Ryton, Stainless Steel, Fluorocarbon	Opt.
	800G2600	Meter Chamber Assembly - EPDM	Ryton, Stainless Steel, EPDM	Opt.
27	800G2531	Meter Chamber Assembly, Buna-N (Includes Items 12 & 26)		1
28	800F3959	Pinion Bevel		
29	800F2221	#4-6 x 3/8 PHMS Type AB		2
30	800G2532	Cover Assembly - U.S. Gallon		1
	800G2533	Cover Assy. - U.S. Gallon - Nickel Pltd.		Opt.
	800G2534	Cover Assy. - U.S. Gallon - Teflon Ctd.		Opt.
	800G2535	Cover Assembly - Liter		Opt.
	800G2536	Cover Assembly - Liter, Nickel Plated		Opt.
	800G2537	Cover Assembly - Liter, Teflon Coated		Opt.
	800G2544	Cover Assembly - Imperial Gallon		Opt.
	800G2765	Cover Assy. - U.S. with EPDM Seal		Opt.
	800G2778	Cover Assy. - U.S. Nickel with EPDM Seal		Opt.
	800G2900	Cover Assembly - Liter with EPDM Seal		Opt.

800B/800C SERIES REPAIR PARTS KITS	
PART NO.	DESCRIPTION
800KTG2540	Repair Kit, U.S. Gallon (Standard Seals) (Includes items 6-12, 18, 22, 24-26, 28)
800KTG2541	Repair Kit, U.S. Gallon (Viton Seals) (Includes items 6-12, 18, 22, 24-26, 28)
800KTG2542	Repair Kit, Liter (Standard Seals) (Includes items 6-12, 18, 22, 24-26, 28)
800KTG2543	Repair Kit, Liter (Viton Seals) (Includes items 6-12, 18, 22, 24-26, 28)
800KTG2579	Repair Kit, U.S. Gallon, (EPDM Seals) (Includes items 6-12, 18, 22, 24-26, 28)

800B TO 800C CONVERSION KIT	
PART NO.	DESCRIPTION
800F4134	Conversion Kit Includes items 1, 2, & 29



ITM. NO.	PART NO.	DESCRIPTION	QTY.
1	800G1325	806C, 1", U.S. Gallon	1
	800G2727	806C, 1", U.S. Gallon, Nickel Plated	Opt.
	800G1387	806C, 1", U.S. Gallon, Teflon Coated	Opt.
	800G1998	806C, 1" BSP, Liters	Opt.
	800G2705	806C, 1" BSP, Liters, Nickel Plated	Opt.
	800G1440	806C, 1" BSP, Liters, Teflon Coated	Opt.
2	800F4360	Cover	1
	800F4362	Cover, Nickel Plated	Opt.
	800F4361	Cover, Teflon Coated	Opt.
3	800F4380	O-Ring (-131), Buna-N	1
	800F4381	O-Ring (-131), Viton	Opt.
4	800F4350	Screen	1
	800F4320	5/16-18 x 7/8 SHCS	2
6	800F4340	Strainer Housing	1
	800F4343	Strainer Housing, Nickel Plated	Opt.
	800F4342	Strainer Housing, Teflon Coated	Opt.
7	800F4337	Strainer Housing, BSP Threads	Opt.
	800F4339	Strainer Housing, BSP Threads, Teflon	Opt.
	800F4338	Strainer Housing, BSP Threads, Nickel	Opt.
	800F4390	1 x 2 Pipe Nipple	1
8	800F4400	1" Street Elbow	1
	700F2800	O-Ring (-218)	1
9	700F2801	O-Ring (-218), Viton	Opt.
	TH18	Strainer Kit, 1", U.S. (Includes items 2-6, 9)	
	TH18T	Strainer Kit, 1", U.S., Teflon Ctd. (items 2-9)	
	TH18X418	Strainer Kit, 1" BSP (Includes items 2-6, 9)	
	TH18TX418	Strainer Kit, 1" BSP, Teflon Ctd. (items 2-6, 9)	

NOTE: OTHER REPAIR AND STRAINER KITS AVAILABLE UPON REQUEST.

TROUBLESHOOTING GUIDE		
PROBLEM	POSSIBLE CAUSE	SOLUTION
Counter reading high or low	<ul style="list-style-type: none"> • Calibration off • Air in product • Measuring chamber or gears sticking 	<ul style="list-style-type: none"> • Recalibrate meter. • Find and repair air leaks in system. • Clean or replace internal metering components.
Shaft seal leakage	<ul style="list-style-type: none"> • Dirty seal • Bad seal 	<ul style="list-style-type: none"> • Clean O-ring seal and seat area. • Replace seal.
Gasket leakage	<ul style="list-style-type: none"> • Loose joints • Dirty gasket • Bad gasket 	<ul style="list-style-type: none"> • Tighten joints. • Clean gasket and seat area. • Replace gasket.
Low capacity	<ul style="list-style-type: none"> • Clogged meter chamber • Clogged screen (806C) 	<ul style="list-style-type: none"> • Clean meter chamber. • Clean screen.
Meter body cracks	<ul style="list-style-type: none"> • High pressure 	<ul style="list-style-type: none"> • Install pressure relief valve to allow bleed back to tank.
Nutating disc breaks	<ul style="list-style-type: none"> • Flow surge 	<ul style="list-style-type: none"> • Put shut-off valve on outlet of meter • Place meter as close as possible to pump

FRANÇAIS

INSTRUCTIONS DE SECURITE

Afin d'assurer une utilisation sûre et efficace, il est essentiel de lire et d'observer chacun des avertissements suivants:

1. Une mauvaise utilisation ou installation de ce produit peut causer des blessures corporelles graves voire la mort.
2. Ne pas fumer à proximité de la pompe et ne pas l'utiliser près d'une flamme.
3. Ne pas dépasser une pression de 50PSI/3,5 bar

COMPTEURS SERIE 800C

CARACTERISTIQUES

- De 19 à 75 l/min
- Précision de $\pm 1\%$
- Chiffres grands et faciles à lire
- Bouton de remise à zéro rapide
- Totalisateur

806CL: Compteur de base avec filtre et raccords pour installation sur réservoir en hauteur, sortie et entrée 1" BSPT.

807CL: Compteur de base avec entrée et sortie 3/4" BSPT.

807CL1: Compteur de base avec entrée et sortie 1" BSPT.

806CNL: Compteur 806, recouvrement en nickel de toutes les surfaces en aluminium, entrée et sortie 1" BSPT.

807CNL: Compteur 807, recouvrement en nickel de toutes les surfaces en aluminium, entrée et sortie 3/4" BSPT.

807CNL1: Compteur 807, recouvrement en nickel de toutes les surfaces en aluminium, entrée et sortie 1" BSPT.

806CTL: Compteur 806, recouvrement en Téflon de toutes les surfaces en aluminium, entrée et sortie 1" BSPT.

807CTL: Compteur 807, recouvrement en Téflon de toutes les surfaces en aluminium, entrée et sortie 3/4" BSPT.

807CTL1: Compteur 807, recouvrement en Téflon de toutes les surfaces en aluminium, entrée et sortie 1" .

DESCRIPTION GENERALE

Le compteur Fill-Rite série 800C est un compteur à disque oscillant. Il utilise des roues mécaniques pour le comptage et l'affichage des litres.

Le compteur a trois roues qui peuvent être remise à zéro, le totalisateur, lui, en a six.

OPTIONS

- Joints O-rings en EPDM
- Recouvrement en Téflon des surfaces d'aluminium
- Recouvrement en nickel des surfaces d'aluminium

CARACTERISTIQUES TECHNIQUES

Construction

- Recommandé pour des débits de 19 à 75 l/min
- Précision: $\pm 1\%$
- Pression maximum: 3.5 bar
- Température du fluide jusqu'à 66°C
- Résistant aux intempéries et la corrosion
- Les roues de l'afficheur pouvant être remises à zéro ont de grands chiffres (17 mm)
- Totalisateur facile à lire et affichant jusqu'à 99999.9 litres
- Construction compacte: 200 x 150 x 150 mm
- Bouton de remise à zéro pratique avec arrêt à zéro
- Autolubrifiant
- Pas prévu pour la revente

Comptabilité avec le fluide

En cas de doute de compatibilité d'un fluide, contactez le fournisseur de ce fluide afin de vérifier toute tendance de celui-ci à réagir avec les matériaux suivants:

fonte	acier	bronze/fer
carbone	polyester	buna N
ceramique	fibres	acetal
ryton®		viton®
Acier inoxydable série 30		

INSTALLATION

Les compteurs sont prévus, par défaut, pour un écoulement horizontal de la gauche vers la droite. Les raccords d'entrée et sortie peuvent toutefois être positionnés dans chacune des quatre positions horizontale et verticale, et ce pour n'importe quelle direction d'écoulement.

1. Déterminez la direction d'écoulement du fluide.
2. Installez le compteur en observant la flèche d'écoulement.
3. Retirez les quatre vis (pièces 20).
4. Retirez et faites tourner la chambre de mesure (pièce 26) de sorte que son entrée corresponde avec l'entrée

de la cavité de la chambre. Réinsérez alors la chambre de mesure dans sa cavité dans le compteur.

5. Faites tourner le bloc compteur jusqu'à atteindre l'orientation désirée.
6. Remplacez et serrez les quatre vis.

ASSEMBLAGE/DESASSEMBLAGE

Le compteur est composé d'une cavité de mesure, d'une chambre de mesure, d'une transmission, d'un assemblage compteur et d'un boîtier. Le compteur peut être partiellement ou complètement démonté sans perturber la ligne de pompage.

Assemblage compteur

Pour accéder à l'assemblage compteur, retirez le bouton de remise à zéro en le tirant fermement. Le bouton est retenu par un circlip. Désérrez les deux vis (pièces 13), et retirez le boîtier du compteur. Retirez les deux vis (pièces 29) pour déposer la plaque frontale. Retirez les deux vis (pièces 13) et ensuite le compteur lui-même (pièce 4). Réassemblez par la procédure inverse.

Chambre de mesure

Pour extraire la chambre de mesure, faites tourner le compteur tête vers le bas de sorte qu'aucune pièce ne tombe lors de l'ouverture de la cavité de mesure. Retirez les quatre vis (pièces 20) et ensuite la cavité de mesure (pièce 19). La chambre de mesure consiste en une chambre supérieure, une chambre inférieure, un disque oscillant et un joint. Réassemblez par la procédure inverse. Si le remplacement d'une pièce de la chambre de mesure s'avère nécessaire, l'assemblage complet devra être remplacé en raison de la précision de son montage.

Transmission et joint

Pour démonter la transmission et son joint, retirez le cadre de transmission (pièce 12) en tirant avec douceur. Retirez la roue dentée primaire (pièce 10) et sa rondelle (pièce 11). Retirez la roue dentée secondaire (pièce 8) et ses rondelles (pièces 7) en la faisant tourner et en la tirant. Retirez le joint O-ring (pièce 6).

Lors du remontage, lubrifiez généreusement le joint O-ring avec de la graisse et remettez le en place. Placez la rondelle sur l'arbre de transmission secondaire. Introduisez cet arbre dans le joint O-ring par de légères rotations en prenant soin de ne pas l'endommager. L'arbre doit être correctement guidé dans le pinion (pièce 28) si le compteur n'a pas été démonté. Replacer les pièces restantes pour terminer l'assemblage en suivant la procédure inverse.

CALIBRATION

La calibration du compteur est nécessaire après un démontage, une usure significative ou à l'occasion de mesures de fluide de viscosité différente. Les compteurs de la série 800C sont calibrés en usine pour mesurer de

l'essence en litres.

La calibration peut aisément être modifiée par la procédure ci-après. Un réservoir étalon ou plus simplement un réservoir de volume connu est requis. Il est recommandé que son volume vaille au moins cinq fois l'unité de calibration, c'est-à-dire 5 litres.

Procédure de calibration

1. Remplissez le réservoir d'un volume connu
2. Si la quantité indiquée est incorrecte, tournez la vis de calibration (pièce 21) dans le sens anti-horloger afin de la réduire. Dans le cas contraire, tournez la vis dans le sens horloger.
3. Répétez le point 2. jusqu'à ce que la calibration soit acceptable.

MISE EN MARCHÉ

Pour une mesure précise et pour éviter tout dommage, le compteur et la ligne doivent toujours être remplis de liquide et sans air.

1. Remettez le compteur à zéro
2. Le compteur est prêt à l'emploi

ENTRETIEN

Le compteur doit normalement fonctionner sans entretien. Certains liquides peuvent cependant sécher dans la chambre de mesure et bloquer le compteur. Si cela se produit, nettoyez le complètement.

Instructions de nettoyage

Rincez abondamment le compteur. Pour un nettoyage complet, démontez le compteur en suivant les instructions de la section "ASSEMBLAGE/DESASSEMBLAGE". Rincez tous les composants. Recalibrez selon les instructions ci-dessus.

Stockage

Si le compteur doit être stocké pour une longue période, nettoyez-le. Il sera ainsi protégé de tout dommage.

REPARATION

En cas de réparation du compteur, adressez vous à un réparateur agréé ou au fabricant. Le compteur doit être complètement et triplement rincé avant toute réparation.

Lors de commande de pièces détachées, assurez-vous de donner le bon numéro de pièce, la date de fabrication et le numéro de série de la pompe. Vous aurez ainsi la certitude de recevoir la pièce de rechange correcte.

*Ces pièces font partie d'un kit de réparation pour la série 800C

. Ces pièces ont des entrées non filetés car prévues pour aller avec un filtre et des raccords ad hoc.

Remarque: D'autres kits de filtre et de réparation sont disponibles sur demande.

GUIDE DE DEPANNAGE		
PROBLEME	CAUSE POSSIBLE	SOLUTION
Lecture du compteur trop haute ou basse	<ul style="list-style-type: none"> •Calibration fautive •Air dans le produit •La chambre de mesure ou les engrenages grippent 	<ul style="list-style-type: none"> •Recalibrer le compteur. •Trouver et réparer la fuite dans le système. •Nettoyer ou remplacer les composants internes.
Fuite sur arbre	<ul style="list-style-type: none"> •Joint sale •Joint défectueux 	<ul style="list-style-type: none"> •Nettoyer le joint et son siège. •Remplacer le joint.
Fuite des joints	<ul style="list-style-type: none"> •Joints mal serrés •Joint sale •Joint défectueux 	<ul style="list-style-type: none"> •Serrer les joints. •Nettoyer le joint et son siège. •Remplacer le joint.
Capacité réduite	<ul style="list-style-type: none"> •Chambre de mesure obstruée 	<ul style="list-style-type: none"> •Nettoyer la chambre de mesure.

GARANTIE

Tuthill Transfer Systems (“le Fabricant”) garantit à chaque acquéreur de ses matériels (“l’Acquéreur”), pour une période de 12 mois à partir de la date de leur installation ou pour 18 mois maximum à partir de la date de fabrication, que les matériels fabriqués par elle (“les Matériels”) seront exempts de vices de matériau ou de fabrication. Uniquement en ce qui concerne les Séries 10, 12, 20 et 22, la Garantie n’excèdera pas 6 mois et s’appliquera à tous les éléments connexes à ces pompes. La seule obligation incombant au Fabricant selon cette Garantie sera, à son seul choix, d’échanger ou de réparer les Matériels (sujet aux limitations exposées ici), ou bien de rembourser le prix d’achat payé par l’Acquéreur. Le seul recours de l’Acquéreur aux termes de cette Garantie sera la mise en vigueur de ces obligations incombant au Fabricant. Si celui-ci exige le retour des matériels, ceux-ci seront renvoyés au Fabricant selon ses instructions F.O.B. usine. LE FABRICANT NE SERA EN AUCUN CAS TENU RESPONSABLE DE DOMMAGES INDIRECTS OU SECONDAIRES ET SA SEULE RESPONSABILITE SUITE A LA FABRICATION, LA VENTE, LA LIVRAISON OU L’UTILISATION DES MATERIELS SERA LIMITEE AU PRIX D’ACHAT DE CES MATERIELS

Cette garantie ne s’appliquera pas à des matériels objet d’abus, de négligence, d’accident, d’installation ou d’entretien non conformes, ou à des matériels qui auront été modifiés ou réparés par des personnes autres que celles autorisées par le Fabricant ou ses représentants autorisés. LES GARANTIES CI-DESSUS SONT EXCLUSIVES ET REMPLACENT TOUTES AUTRES GARANTIES DE COMMERCIALISATION, D’APTITUDE A L’USAGE OU TOUT AUTRE TYPE DE GARANTIE IMPLICITE OU EXPLICITE.

Nul ne pourra modifier les termes de garantie et de recours ci-dessus excepté par un document écrit signé par le Fabricant. Des garanties ou recours différents de ceux ci-dessus ne seront pas imposables au Fabricant. L’Acquéreur, prenant livraison des Matériels, accepte implicitement les termes de cette garantie et des recours ainsi que toutes les conditions et limitations y afférents.

DEUTSCH

SICHERHEITSAUWEISUNGEN

Um einen sicheren und wirksamen Betrieb zu gewährleisten, ist es von wesentlicher Bedeutung, daß Sie sich zunächst mit nachstehenden Warnungen und Vorsichtsmaßnahmen vertraut machen.

1. Die unsachgemäße Verwendung bzw. Installation dieses Gerätes kann zu ernsthaften Verletzungen bzw. sogar zum Tode führen.
2. Das Rauchen in der Nähe des Meßgerätes ist **UNTERSAGT**. Gleichfalls ist es verboten, beim Verteilen entflammbarer Flüssigkeiten das Meßgerät in der Nähe einer offenen Flamme einzusetzen, da dies einen Brand auslösen könnte.
3. Der Leitungsdruck darf 50 PSI/3,5 bar nicht überschreiten.

SERIES 800C MESSGERÄTE

WICHTIGSTE MERKMALE

- 19 bis 75 Liter pro Minute
- Bis auf +/- 1% genau
- Große und gut lesbare Zahlen
- Taste für einen schnellen Reset
- Totalisator

- 806CL: Basismessgerät mit Sieb und Ausrüstung für die Installation auf oberirdischem Tank, 1" BSP Ein- und Auslaß
- 807CL: Basismessgerät mit 3/4" BSPT Ein- und Auslaß
- 807CL1: Basismessgerät mit 1" BSPT Ein- und Auslaß
- 806CNL: 806 Meßgerät, Nickelverkleidung oderbeschichtung von allen inneren Aluminiumflächen 1" BSPT Ein- und Auslaß
- 807CNL: 807 Meßgerät, Nickelverkleidung oderbeschichtung von allen inneren Aluminiumflächen 3/4" BSPT Ein- und Auslaß
- 807CNL1: 807 Meßgerät, Nickelverkleidung oderbeschichtung von allen inneren Aluminiumflächen, 1" BSPT Ein- und Auslaß
- 806CTL: 806 Meßgerät, Teflon-Verkleidung von allen inneren Aluminiumflächen, 1" BSPT Ein- und Auslaß
- 807CTL: 807 Meßgerät, Teflon- Verkleidung von allen inneren Aluminiumflächen, 3/4" BSPT Ein- und Auslaß
- 807CTL1: 807 Meßgerät, Teflon-Verkleidung von allen inneren Aluminiumflächen, 1" BSPT Ein- und Auslaß

ALLGEMEINE BESCHREIBUNG

Bei der File-Rite 800C Meßgerätereihe handelt es sich um einen Durchflußmengenmesser, der mit einer Taumelscheibe versehen ist. Dieses Gerät registriert die Liter mit Hilfe von Radzählern. Der Zähler verfügt über einen rückstellbaren, dreistelligen Partialzähler und einen nicht rückstellbaren sechsstelligen Totalzähler.

OPTIONEN

- O-Ringe aus EPDM
- Teflon-Bekleidung von allen inneren Aluminiumflächen
- Nickelbekleidung von allen Aluminiumflächen

TECHNISCHE INFORMATIONEN

- Empfohlen wird eine Leistungsabgabe von 19 bis 75 LPM
- Bis auf +/- 1% genau
- Maximaler Druck: 3,5 bar
- Mißt Flüssigkeiten bis auf eine Temperatur von 66°C
- witterungsbeständig und korrosionsbeständig
- Die Zähler mit Null-Reset verfügen über Zahlen mit einer Größe von 17 mm
- Der gut ablesbare Totalzähler registriert bis 99999,9 Liter
- Kompakter Entwurf: 200 x 150 x 150 mm
- Handliche, große Reset-Taste mit positivem Null-Stopp
- Selbstschmierend
- Nicht für den Weiterverkauf bestimmt.

Kompatible Flüssigkeiten

Wenn Sie etwaige Zweifel in Bezug auf die Kompatibilität einer bestimmten Flüssigkeit haben, sollten Sie sich an den betreffenden Lieferanten Ihrer Flüssigkeiten wenden, um zu überprüfen, ob diese im Kontakt mit nachstehenden Materialien schädlich reagiert.

Ryton, 300S stainless steel, 400S stainless steel

Aluminium: 806CL, 807CL, 807CL1

Nickel plated aluminium: 806CNL, 807CNL, 807CNL1

Teflon coated aluminium: 806CTL, 807CTL, 807CTL1

Viton: 806CL, 806CTL, 807CL, 807CL1, 807CNL1, 807CTL1

Buna N: 806CL, 807CL, 807CL1

Cast iron: 806CL, 806CTL

INSTALLATION

Die Meßgeräte sind für horizontale Leitungen bestimmt, mit einer Strömungsrichtung von links nach rechts (außer bei anderslautenden Angaben).

Die Strömungsanschlüsse können in einer von vier Positionen für horizontale oder vertikale Leitungen und für beide Strömungsrichtungen angebracht werden.

1. Bestimmen Sie die jeweilige Strömungsrichtung der Flüssigkeit.

2. Installieren Sie das Meßgerät, wobei Sie auf die durch den Pfeil angegebene Richtung auf dem Gehäuse achten sollten.
3. Entfernen Sie die 4 Schrauben (Teil 20).
4. Heben Sie und drehen Sie die Kammer (Einzelteil 26) so, daß der Kammereingang zum Einlaß des Meßgerätgehäuses zeigt.
5. Deckel des Meßgerätes in die gewünschte Richtung drehen.
6. Vier Schrauben erneut montieren.

MONTAGE/ DEMONTAGE

Das Meßgerät besteht aus einem Kammergehäuse, einer Meßkammer, einem Rädergetriebe, einem Zählersatz und einem Deckel. Das Meßgerät kann entweder vollständig demontiert werden, ohne dabei die Leitungen zu berühren, bzw. entsprechend den Bedürfnissen teilweise demontiert werden.

Zählersatz

Um den Zählersatz zu erreichen, sollte die Reset-Taste (Teil 3) durch Festhalten an den Rändern und kräftiges Ziehen entfernt werden. Die Taste wird durch eine Federklammer an Ort und Stelle gehalten. Zwei Schrauben lösen (Teil 13) und Deckel abnehmen. Um die Zählerfrontplatte (Teil 2) zu lösen, sollten zwei Schrauben (Teil 29) abmontiert werden. Um den Zähler zu entfernen (Einzelteil 4), sollten zwei Schrauben (Einzelteil 13) entfernt werden. Die Montage erfolgt in der umgekehrten Reihenfolge.

Montage der Meßkammer

Um die Meßkammer zu erreichen, sollten Sie das Meßgerät leicht mit der Vorderseite nach unten halten, so daß beim Entfernen des Gehäuses keine Einzelteile herausfallen. Entfernen Sie zunächst die vier Schrauben (Einzelteil 20), montieren Sie daraufhin das Gehäuse ab (Einzelteil 19). Die Meßkammer besteht aus einer oberen und unteren Kammer, einer Taumelscheibe und einer Dichtungspackung. Die Montage erfolgt in der entgegengesetzten Reihenfolge.

Falls es erforderlich sein sollte, einige Komponenten der Meßkammer zu ersetzen, muß der vollständige Satz aufgrund der präzisen Konstruktionsweise ausgetauscht werden. Auf diese Weise wird ein korrekter Sitz und ein einwandfreier Betrieb der Kammer gewährleistet.

Rädergetriebe und Dichtung

Um das Rädergetriebe und die Dichtung abzumontieren, sollte der Rahmen des Zahnrades (Einzelteil 12) durch vorsichtiges Rütteln entfernt werden.

Entfernen Sie den Schaltblock (Einzelteil 10) sowie den Dichtungsring (Einzelteil 11). Entfernen Sie das Antriebszahnrad (Einzelteil 8) sowie die Dichtungsringe (Einzelteil 7), indem Sie das Antriebszahnrad drehen und

ziehen. Entfernen Sie die Packung des O-Rings (Einzelteil 6).

Bei der Montage der Dichtung sollte der O-Ring reichlich mit Öl oder Rohvaseline geschmiert und erneut in den Deckel montiert werden. Installieren Sie den Dichtungsring auf die Antriebsradwelle. Drehen und drücken Sie die Welle vorsichtig durch den O-Ring und decken Sie ab, um zu verhindern, daß der O-Ring beschädigt wird.

Die Welle muß daraufhin in die Ritzel-Ausschrägung geführt werden (Einzelteil 28), falls der Zähler nicht entfernt wurde. Installieren Sie die restlichen Teile in entgegengesetzter Reihenfolge, um die Montage zu vervollständigen.

KALIBRIERUNG

Die Kalibrierung ist bei der Installation, nach der Demontage, nach beträchtlichem Verschleiß bzw. beim Messen einer Flüssigkeit mit einer anderen Viskosität erforderlich. Die Meßgeräte der Reihe 800C werden in der Fabrik kalibriert und dienen zur Messung von Benzin in Litern. Die Kalibrierung des Meßgerätes kann durch Befolgung des untenstehenden Kalibrierverfahrens leicht geändert werden. Für dieses Kalibrierverfahren ist ein Eichbehälter bzw. ein Behälter mit bekanntem Volumeninhalt erforderlich. Es wird empfohlen, daß das Volumen des Behälters wenigstens fünfmal größer als die Kalibriereinheit (5 Liter) ist.

Kalibrierverfahren

1. Behälter bis auf ein bekanntes Volumen auffüllen.
2. Ist die angegebene Menge falsch, die Kalibrierschraube (Einzelteil 21) entgegen dem Uhrzeigersinn drehen, um die angegebene Menge zu reduzieren. Drehen Sie die Schraube im Uhrzeigersinn, um die angegebene Menge zu erhöhen.
3. Schritt 2 wiederholen, bis die Kalibrierung akzeptabel ist.

BEDIENUNGSANWEISUNGEN

Zwecks einer präzisen Messung und um zu verhindern, daß das Meßgerät beschädigt wird, müssen Meßgerät und Leitungen stets mit Flüssigkeit gefüllt und frei von Luft sein.

1. Meßgerät erneut auf "0" stellen.
2. Das Meßgerät ist betriebsbereit.

WARTUNG

Das Meßgerät sollte wartungsfrei funktionieren. Es kann jedoch sein, daß bestimmte Flüssigkeiten im Gehäuse des Meßgerätes eintrocknen, wodurch das Meßgerät ausgeschaltet wird. Ist dies der Fall, muß das Meßgerät gründlich gereinigt werden.

Anweisungen zur Reinigung

Lassen Sie eine Spülflüssigkeit durch das Meßgerät laufen. Wenn Sie das Meßgerät gründlicher reinigen möchten, sollten Sie die im Abschnitt "MONTAGE/DEMONTAGE", Teilabschnitt "Montage der Meßkammer" enthaltenen Anweisungen befolgen. Spülen Sie alle Bestandteile des Meßgerätes ab. Meßgerät erneut entsprechend den Kalibrieranweisungen kalibrieren.

Lagerung

Wenn das Meßgerät über einen bestimmten Zeitraum gelagert werden soll, sollte es vorher gründlich gereinigt werden. Auf diese Weise wird das Meßgerät vor etwaigen Beschädigungen bewahrt.

REPARATUR

Reparaturbedürftige Meßgeräte sollten zu einer anerkannten Reparaturwerkstatt bzw. zur Fabrik gebracht werden. Vorher sollten die Meßgeräte gründlich dreifach gespült werden.

Bei der Bestellung von Ersatzteilen sollten Sie die jeweilige Nummer des Einzelteils, das Herstellungsdatum und die Seriennummer der Pumpe angeben. Auf diese Weise wird gewährleistet, daß Sie das korrekte Ersatzteil erhalten.

ANWEISUNGEN ZUR FEHLERANALYSE		
PROBLEM	MÖGLICHE URSACHE	PROBLEMLÖSUNG
Leck der Antriebswellendichtung	<ul style="list-style-type: none">•Schmutzige Dichtung•Schlechte Dichtung	<ul style="list-style-type: none">•Dichtung und Dichtungssitz reinigen•Dichtung ersetzen
Dichtungsleck	<ul style="list-style-type: none">•Verbindungsstücke lockern•Schmutzige Dichtung•Schlechte Dichtung	<ul style="list-style-type: none">•Verbindungsstücke festziehen•Dichtung und Dichtungssitz reinigen•Dichtungs ersetzen
Niedrige Kapazität	<ul style="list-style-type: none">•Zählergehäuse verstopft•Verstopftes Filter	<ul style="list-style-type: none">•Zählergehäuse reinigen•Filter reinigen
Hohe oder niedrige Zählerziffer	<ul style="list-style-type: none">•Schlechte Eichung•Luft im Produkt•Meßkammer und Antrieb klemmen	<ul style="list-style-type: none">•Zähler neu eichen•Luftverluste im System suchen und reparieren•Interne Meßkomponente reinigen oder ersetzen

GARANTIEBEDINGUNGEN

Tuthill Transfer Systems („Hersteller“) garantiert jedem Käufer seiner Produkte (dem „Käufer“) für einen Zeitraum von 12 Monaten, beginnend mit dem Datum der Installation, in keinem Fall jedoch länger als 16 Monate, beginnend mit dem Datum der Herstellung, daß die Güter seiner Herstellung („Güter“) keine Material- oder Verarbeitungsschäden aufweisen. Insbesondere zu Serien 10, 12, 20 und 22: Es gilt als vereinbart, daß die Garantie 6 Monate nicht überschreitet und spezifisch auf alle zugehörigen Artikel zutrifft. Die einzige Verpflichtung des Herstellers unter der vorliegenden Garantie beschränkt sich auf entweder, der Meinung des Herstellers zufolge, den Austausch oder die Reparatur defekter Güter (unterliegt Einschränkungen die nachstehend angegeben sind) oder die Rückerstattung des Kaufpreises für genannte Güter, die vorher vom Käufer bezahlt wurden, wobei die ausschließliche Abhilfe des Käufers bei Verletzungen genannter Garantien die Geltendmachung der Verpflichtungen des Herstellers ist. Bei vom Hersteller angeforderter Rücksendung der Güter, sind die Güter den Anweisungen des Herstellers, gemäß F.O.B. Factory zurückzusenden. HERSTELLER IST IN KEINEM FALL FÜR FOLGESCHÄDEN VERANTWORTLICH. DIE HAFTPFLICHT DES HERSTELLERS FÜR SCHADENSANSPRÜCHE, DIE AUS DER HERSTELLUNG, DEM VERKAUF ODER DER LIEFERUNG BZW. DEM GEBRAUCH DER GÜTER ENTSTEHEN, ÜBERSCHREITET DEN KAUFPREIS DER GÜTER NICHT. Vorstehende Garantie trifft nicht auf Güter zu, die Mißbrauch, Vernachlässigung, Unfall oder unvorschriftsmäßiger Installation oder Wartung ausgesetzt wurden, oder von anderen Personen als dem Hersteller oder dessen autorisierten Beauftragten geändert oder repariert wurden. DIE VORSTEHENDEN GARANTIE SIND EXKLUSIV UND NEHMEN DIE STELLE ALLER ANDEREN GARANTIE ZUR GEWÄHRLEISTUNG, DASS DIE GÜTER VON DURCHSCHNITTLICHER QUALITÄT UND FÜR DEN NORMALEN GEBRAUCH BESTIMMT SIND, GEWÄHRLEISTUNG DER EIGNUNG FÜR EINEN BESTIMMTEN ZWECK SOWIE ALLER ANDEREN ARTEN VON GARANTIE EIN, EXPLIZIT ODER IMPLIZIT.

Keiner Person ist es erlaubt, die vorstehenden Garantien und Abhilfen zu ändern, mit Ausnahme schriftlicher, von einem vorschriftsmäßig autorisierten Vorstandsmitglied des Herstellers unterzeichnete, Änderungen. Garantien und Abhilfen, die sich von der vorstehenden Garantie unterscheiden, werden vom Hersteller nicht als bindend angesehen. Die Empfangnahme gelieferter Güter durch den Käufer setzt die Akzeptierung vorstehender Garantien und Abhilfen sowie aller darin enthaltenen Bedingungen und Einschränkungen in Kraft.

Soweit ein Ausdruck oder Bedingung der englischen Version dieses Prospektes der Copyright-Beschränkungen von den Ausdrücken und Bedingungen eventueller Übersetzungen des vorliegenden Textes abweicht, so sind die Ausdrücke und Bedingungen der englischen Version ausschlaggebend.

ESPAÑOL

INSTRUCCIONES DE SEGURIDAD

Para garantizar un empleo eficiente y seguro, es esencial y seguro, leer y ejecutar cada una de las siguientes precauciones:

- 1.- El uso o instalación impropia del producto, pueden causar heridas graves o incluso la muerte.
- 2.- NO fumar cerca del contador y no utilizarlo cerca de llamas durante la distribución de fluidos inflamables. Podr'a provocarse un incendio.
- 3.- No superar la presión de l'nea de 50 PSI/3.5 bar.

SERIES 800C CONTADORES

- 806CL: Contador de base con filtro o Accesorios para la instalación del estanque principal, Entrada y salida BSPT de 1"
- 807CL: Contador de base con entrada y salida BSPT de 3/4"
- 807CL1: Contador de base con entrada y salida BSPT de 1"
- 806CNL: 806 Contador, revestimiento de níquel para todas las superficies internas de aluminio, entrada y salida BSPT de 1"
- 807CNL: 807 contador, revestimiento de níquel para todas las superficies internas de aluminio, entrada y salida BSPT de 3/4"
- 807CNL1: 807 contador, revestimiento de níquel para todas las superficies internas de aluminio, entrada y salida BSPT de 1"
- 806CTL: 806 contador, revestimiento de teflón en todas las superficies internas de aluminio, entrada y salida BSPT de 1"
- 807CTL: 807 contador, revestimiento de teflón en todas las superficies internas de aluminio, entrada y salida BSPT de 1"

DESCRIPCION GENERAL

El contador 800C de la serie Fill-Rite, es un flujómetro con disco variable que utiliza un cuentalitros de cifras. El contador tiene tres cifras que pueden ser puestas en cero, y el totalizador, 6.

CARACTERISTICAS ESPECIFICAS

- De 19 a 75 litros por minuto
- Precisión hasta $\pm 1\%$
- Números de gran tamaño, de fácil lectura
- Pulsador de puesta en cero rápida
- Totalizador

ACCESORIOS

- O-ring EPDM
- Revestimiento de teflón en todas las superficies internas de aluminio.
- Revestimiento de níquel en todas las superficies de aluminio.

INFORMACIONES TECNICAS

Características de proyectación

- Salida recomendada: de 19 a 75 litros por minuto
- Precisión hasta $\pm 1\%$
- Presión máxima 3,5 bar
- Los fluidos del contador, a temperaturas hasta 66°C
- Resistente a la acción de los agentes atmosféricos y a la corrosión.
- Las cifras del contador que pueden ser puestas en cero son de grandes dimensiones (17 mm).
- Totalizador de lectura fácil, la lectura registra hasta 99999,9 litros.
- Diseño compacto 200 x 150 x 150 mm
- Práctico pulsador de puesta en cero, con detención en cero.
- Auto-lubricante
- No previsto para la venta

Compatibilidad del fluido

En caso de dudas sobre la compatibilidad con un fluido específico, consulte a su proveedor para que efectúe los controles e informe sobre posibles reacciones negativas para los siguientes líquidos.

Ryton, 300S Acero inox., 400S Acero inox.
Aluminio: 806CL, 807CL, 807CL1
Níquel, aluminio: 806CNL, 807CNL, 807CNL1
Teflón, aluminio: 806CTL, 807CTL, 807CTL1
Fluorocarbonos: 806CL, 806CTL, 807CL, 807CL1, 807CNL1, 807CTL1
Buna N: 806CL, 807CL, 807CL1
Hierro fundido: 806CL, 806CTL

INSTALACION

Los contadores que se suministran son adecuados para tuber'as horizontales, con flujo de izquierda a derecha, salvo indicaciones contrarias.

La entrada del flujo puede quedar ubicada en cualquiera de las 4 posiciones para las tuberías horizontales y verticales y para cualquier dirección del flujo.

1. Determinar la dirección del flujo del fluido
2. Instalar el contador, observando la flecha direccional que se encuentra en el cuerpo de la pieza.
3. Quitar los 4 tornillos (art. 20).
4. Levantar y hacer girar el conjunto de la cámara (art. 26),

de manera que la entrada de la cámara esté en dirección de la entrada del alojamiento del contador.

5. Hacer girar el conjunto de cobertura del contador en la dirección que se desea.

6. Volver a colocar los cuatro tornillos.

MONTAJE/DESMONTAJE

El contador se compone del alojamiento de la cámara, de la cámara de medición, de la serie de engranajes, del conjunto y de la cobertura del contador. El contador puede ser desmontado por completo sin tocar las tuberías, o bien puede ser desmontado parcialmente según las necesidades.

Montaje del contador

Para proceder a montar el contador, quitar el pulsador de puesta en cero (artículo 3), aferrando los extremos y tirando fuerte. El pulsador está fijado con un retén con resorte. Aflojar los dos tornillos (artículo 13) y levantar la cubierta. Quitar los dos tornillos (artículo 29) y extraer la parte anterior del contador (artículo 2). Quitar dos tornillos (artículo 13) para poder extraer el contador (artículo 4), volver a montar siguiendo el procedimiento inverso.

Montaje de la cámara del contador

Descripción del montaje de la cámara del contador; inclinar ligeramente el contador volviéndolo hacia abajo, de manera que ninguna pieza pueda caer durante la extracción del alojamiento del contador. Quitar cuatro tornillos (artículo 20), luego quitar el alojamiento del contador (artículo 19). El conjunto de cámara del contador se compone de cámara superior e inferior, de un disco variable y de la empaquetadura hermética. Volver a montar, siguiendo el procedimiento inverso.

En el caso que sea necesario substituir los componentes del conjunto de la cámara del contador deberá ser substituido todo el conjunto, a causa de la precisión del método de su construcción. Ello garantiza una justa adecuación y el correcto funcionamiento de la cámara.

Serie de engranajes y dispositivo hermético.

Para desmontar la serie de engranajes y el dispositivo hermético, quitar la estructura del engranaje (artículo 12), moviéndola ligeramente con una palanca. Quitar el grupo de engranajes (artículo 10) y la arandela (artículo 11). Quitar el engranaje conductor (artículo 8) y las arandelas (artículo 7) haciendo girar y tirando el engranaje conductor. Quitar el dispositivo hermético de los O-ring (artículo 6).

Cuando se vuelve a montar el dispositivo hermético, lubricar los O-ring con aceite o vaselina y substituir la cobertura. Colocar la arandela en el eje del engranaje conductor. Hacer girar y empujar el eje a través del O-ring, y cubrir con cuidado para evitar que se malogre el O-ring. El eje debe ser guiado en el piñón cónico (artículo 28) si el contador no ha sido quitado. Substituir el resto de las partes hasta terminar el montaje siguiendo el procedimiento inverso.

AJUSTE

Es necesario ajustar inmediatamente después de la instalación, del desmontaje, después de un desgaste notable o cuando se utilice un fluido con viscosidad diferente. Los contadores serie 800C, llegan calibrados de fábrica, miden gasolina por litros. El ajuste en metros puede ser efectuado con facilidad siguiendo el procedimiento de ajuste que se indica a continuación. Para efectuar el ajuste, es necesario un contenedor de pruebas o con volumen conocido. Se recomienda elegir un contenedor cuyo volumen sea por lo menos cinco veces mayor que la unidad de ajuste (5 litros).

Procedimiento para efectuar el ajuste

1. Llenar el contenedor con volumen conocido
2. Si la cantidad indicada no es la correcta, hacer girar el tornillo de ajuste (artículo 21) en sentido anti-horario para reducir la cantidad indicada y en sentido horario para aumentarla.

Instrucciones de funcionamiento

Para efectuar un ajuste cuidadoso y evitar que se malogre el contador, el contador y la tubería deben estar siempre llenos con líquidos y sin burbujas de aire.

1. Poner en cero el contador.
2. El contador está listo para el uso.

MANTENIMIENTO

El contador no debiera necesitar mantenimiento alguno. Sin embargo, alguno líquidos pueden secarse dentro del contador bloqueándolo, en ese caso es necesario limpiar el contador por completo.

INSTRUCCIONES PARA LA LIMPIEZA

Hacer circular un fluido en el contador. Para conseguir una limpieza más completa, desmontar el contador, siguiendo la sección MONTAJE/DESMONTAJE, subsección "Montaje de la cámara del contador". Enjuagar todos los componentes del contador. Reajustar el contador según las instrucciones para el ajuste que se han indicado anteriormente.

Almacenamiento

En caso que el contador deba almacenarse durante un cierto período de tiempo, limpiarlo completamente. Esto lo protegerá contra posibles averías.

REPARACION

Los contadores que deben ser reparados, deberán ser llevados a un centro de asistencia o deberán ser devueltos a la fábrica para su mantenimiento. Los contadores deberán ser enjuagados por lo menos tres veces antes de ser reparados.

Cuando se solicitan piezas de recambio, es necesario indicar el número de las piezas que se desean substituir, su fecha de producción y el número de serie de la bomba. De este modo se garantizará una correcta substitución de la pieza de recambio.

GARANTIA

Tuthill Transfer Systems (“Fabricante”) ofrece a todo aquel que compre sus productos (“Comprador”) una garantía sobre los mismos de 12 meses a partir de la instalación, pero sin superar los 18 meses a partir de la fecha de fabricación; garantiza también que sus productos no tienen defectos materiales ni técnicos. Para los productos series 10, 12, 20 y 22 y las partes relacionadas a estos la garantía es de 6 meses. La única obligación del Fabricante de acuerdo con las garantías anteriores existentes, a su criterio, se limitará o bien a sustituir o reparar los artículos defectuosos (en las condiciones indicadas más adelante); o bien a reembolsar el precio de compra de cada artículo pagado antes por el Comprador. El recurso exclusivo del Comprador por incumplimiento de tales garantías será obligar al Fabricante a cumplir con dichas obligaciones. Si el Fabricante exige que se le devuelvan los artículos, éstos les serán devueltos de acuerdo con las instrucciones del Fabricante FOB fábrica. EN NINGÚN CASO, EL FABRICANTE SERÁ RESPONSABLE DE LOS DAÑOS QUE SE DERIVEN NI PAGARÁ UN PRECIO SUPERIOR AL PRECIO DE COMPRA DE LOS ARTÍCULOS EN CASO DE QUEJAS POR DAÑOS GENERADOS FUERA DE LA FÁBRICA, EN LA VENTA, EL SUMINISTRO O EL USO DE

LOS BIENES.

Las garantías anteriores no se extenderán a los bienes sometidos a abuso, negligencia, accidente o instalación/mantenimiento incorrecto o que hayan sido alterados o reparados por cualquier otra persona que no sea el Fabricante o su representante autorizado. Las garantías anteriores son exclusivas y actúan en lugar de cualesquier otras garantías de comercialización, conveniente para con los objetivos propuestos o de cualquier otro tipo.

Nadie puede cambiar las garantías anteriores ni los recursos, excepto si existe un documento debidamente firmado por un representante autorizado del Fabricante. Las garantías o recursos que difieran de las anteriores no podrán obligar al fabricante a cumplirlas. La aceptación por parte del Comprador de la entrega de los Artículos constituye la aceptación de las garantías y recursos anteriores, con todas las condiciones y limitaciones inherentes.

En el caso de que los términos y las condiciones expresados en la versión en inglés de este Estatuto de Restricciones entraran en conflicto con cualesquiera otros términos y condiciones expresados en la traducción, la versión en inglés prevalece sobre éstos.

GUIA PROBLEMAS		
PROBLEMO	AVERIAS POSIBLES	SOLUCIONES
fuga junta eje contador	<ul style="list-style-type: none"> •retén sucio •retén en mal estado 	<ul style="list-style-type: none"> •limpiar retén y cavidad retén •sustituya retén
fuga junta	<ul style="list-style-type: none"> •juntas sueltas •retén sucio •retén en mal estado 	<ul style="list-style-type: none"> •apretar juntas •limpiar retén y cavidad retén •sustituya retén
capacidad baja	<ul style="list-style-type: none"> •cámara contador obstruida •pantalla obstruida 	<ul style="list-style-type: none"> •limpiar cámara contador •limpiar pantalla
lectura contador alta o baja	<ul style="list-style-type: none"> •no funciona calibración •aire en producto •cámara de medición o fricción mecanismo 	<ul style="list-style-type: none"> •recalibrar contador •localizar y reparar fugas de aire en sistema •limpiar o sustituir componentes contador internas

NOTES

Fill-Rite: A Worldwide Reputation for Reliability.

For over 50 years, people all over the world who have needed tough, dependable pumps have insisted on Fill-Rite products. For them, Fill-Rite has been "the reliable pump" that keeps on working even under the toughest of conditions. We're proud of the reputation our hand pumps, DC and AC pumps and meters have earned. Today they're only a part of the rapidly expanding Fill-Rite line.

Applying the Science of Fluid Transfer.

An active research and development program is the centerpiece of our ongoing commitment to respond to new fluid transfer opportunities. This has led to new products and to new technologies and new facilities to produce these products.

To bring this advanced technology to market, we have invested in precision engineering and testing equipment. This improves our ability to produce fluid handling equipment that meets market demands for quality, performance and price.

A Hard Working Support Network.

Just as important as these capabilities are the people behind them - our design and production personnel. They give you the ability to specify systems that meet the most challenging of applications. With them, you can be assured of prompt, intelligent answers to your fluid transfer questions.

To service customers in the field, we've put together a select, well-monitored team of distributors. Throughout the world, they are ready to help you with technical advice, ordering and delivery.

Fill-Rite will always stand for reliable pumps and fluid handling equipment. We'll continue to develop new products and production techniques to keep pace with ever changing technologies. Each of our products will always be made with the same care and quality that made our pumps famous.

Tuthill Transfer Systems ("Manufacturer") warrants to each buyer of its Fill-Rite products (the "Buyer") for a period of 12 months from date of invoice or sales receipt, but in no event more than 18 months from date of manufacture, that goods of its manufacture ("Goods") will be free from defects of material and workmanship. Manufacturer's sole obligation under the foregoing warranties will be limited to either, at Manufacturers' option, replacing or repairing defective Goods (subject to limitations hereinafter provided) or refunding the purchase price for such Goods theretofore paid by the Buyer, and Buyer's exclusive remedy for breach of any such warranties will be enforcement of such obligations of Manufacturer. If Manufacturer so requests the return of the Goods, the Goods will be redelivered to Manufacturer in accordance with Manufacturer's instructions F.O.B. Factory. The remedies contained herein shall constitute the sole recourse of the Buyer against Manufacturer for breach of warranty. IN NO EVENT SHALL MANUFACTURER'S LIABILITY ON ANY CLAIM

FOR DAMAGES ARISING OUT OF THE MANUFACTURE SALE, DELIVERY OR USE OF THE GOODS EXCEED THE PURCHASE PRICE OF THE GOODS. The foregoing warranties will not extend to Goods subjected to misuse, neglect, accident or improper installation or maintenance, or which have been altered or repaired by anyone other than Manufacturer or its authorized representative. THE FOREGOING WARRANTIES ARE EXCLUSIVE AND IN LIEU OF ALL OTHER WARRANTIES OF MERCHANTABILITY, FITNESS FOR PURPOSE OF ANY OTHER TYPE, WHETHER EXPRESS OR IMPLIED. No person may vary the foregoing warranties and remedies except in writing signed by a duly authorized officer of Manufacturer. Warranties or remedies that differ from the foregoing shall not otherwise be binding on Manufacturer. The Buyer's acceptance of delivery of the Goods constitutes acceptance of the foregoing warranties and remedies, and all conditions and limitations thereof.

PRODUCT WARRANTY

FILL-RITE



TUTHILL
Transfer Systems

www.tuthill.com

8825 Aviation Drive
Fort Wayne, Indiana USA 46809
Tel 219 747-7524 Fax 219 747-3159